

TEMPEST™

GAS TORCHES AND LANTERNS

FIRE IN MOTION





DECK POST INSTALLATION
(Posts have been wrapped in a wood base)

Both the Tempest Torch™ and the Tempest Lantern™ feature a wide array of applications and display possibilities for outdoor living and entertainment spaces, including decks, patios, pools, gardens, walkways, entryways, restaurants, storefronts and more! The variable flame reaches a height of 17 inches and provides up to 20,000 BTUs. The four-sided, 18-inch tall open-air tempered glass housing is designed to prevent the flame from going out during high winds or rainfall, but includes an automatic gas safety shutoff valve, should the flame ever go out.



The Electronic 24V model has the miniaturized gas valve built into the post. This model can be wired up to 445 feet from the transformer (See Owners Manual for details).



The manual light model features easy access control panel with Piezo igniter for easy lighting and high to low flame control.

PICK THE MODEL THAT BEST MEETS YOUR NEEDS

ELECTRONIC 24V MODEL

Electric 24V torches can be used with a light switch, remote control, programmable timer or wired into a SmartHome system.
Available in NG and LP Models.

PIEZO IGNITER MODEL

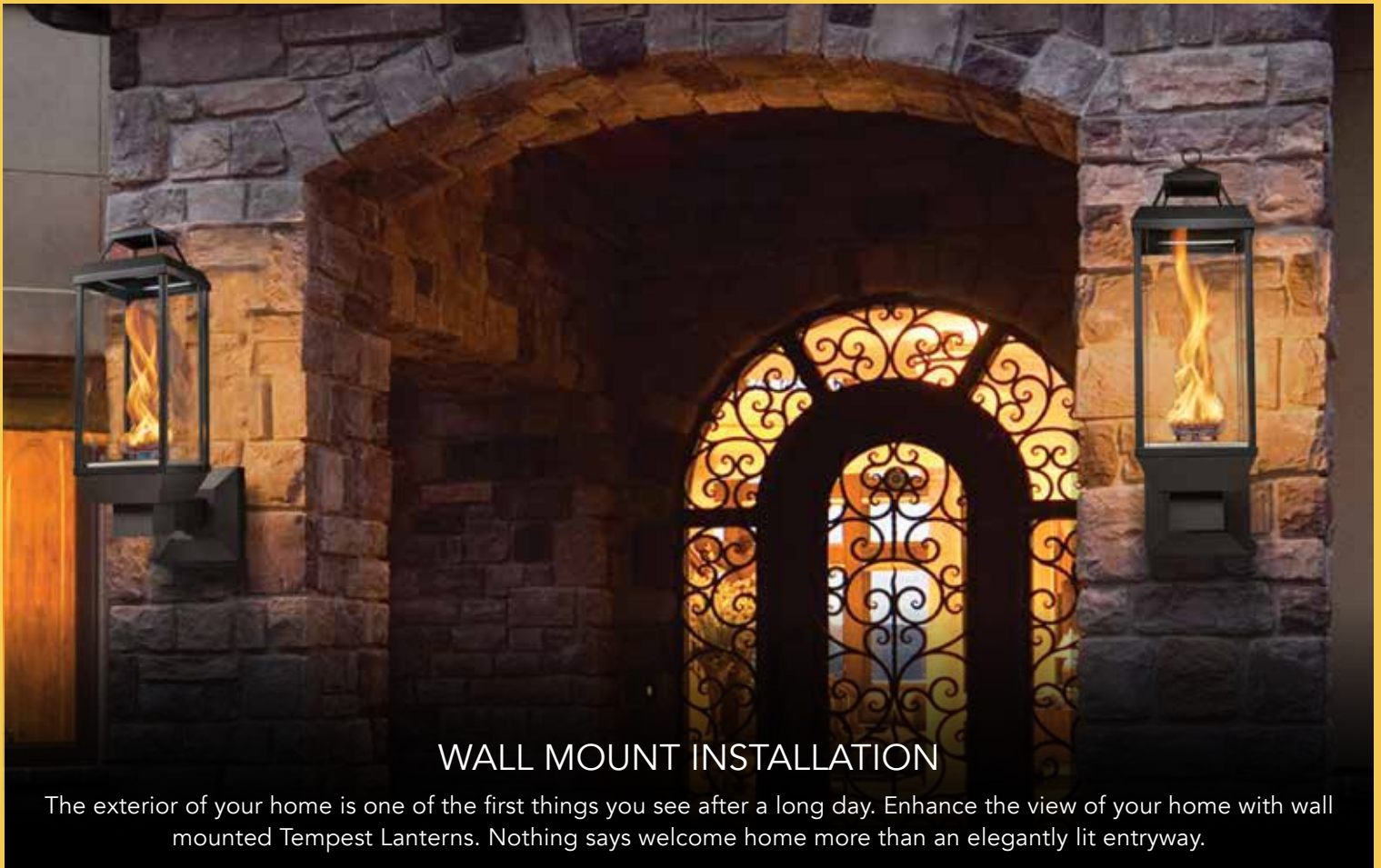
The manual light model works with a built-in Piezo igniter and easy access control panel.
Available in NG and LP Models.





DECK POST & WALL MOUNT INSTALLATIONS

www.tempesttorch.com | 5



WALL MOUNT INSTALLATION

The exterior of your home is one of the first things you see after a long day. Enhance the view of your home with wall mounted Tempest Lanterns. Nothing says welcome home more than an elegantly lit entryway.



DECK POST MOUNT INSTALLATION

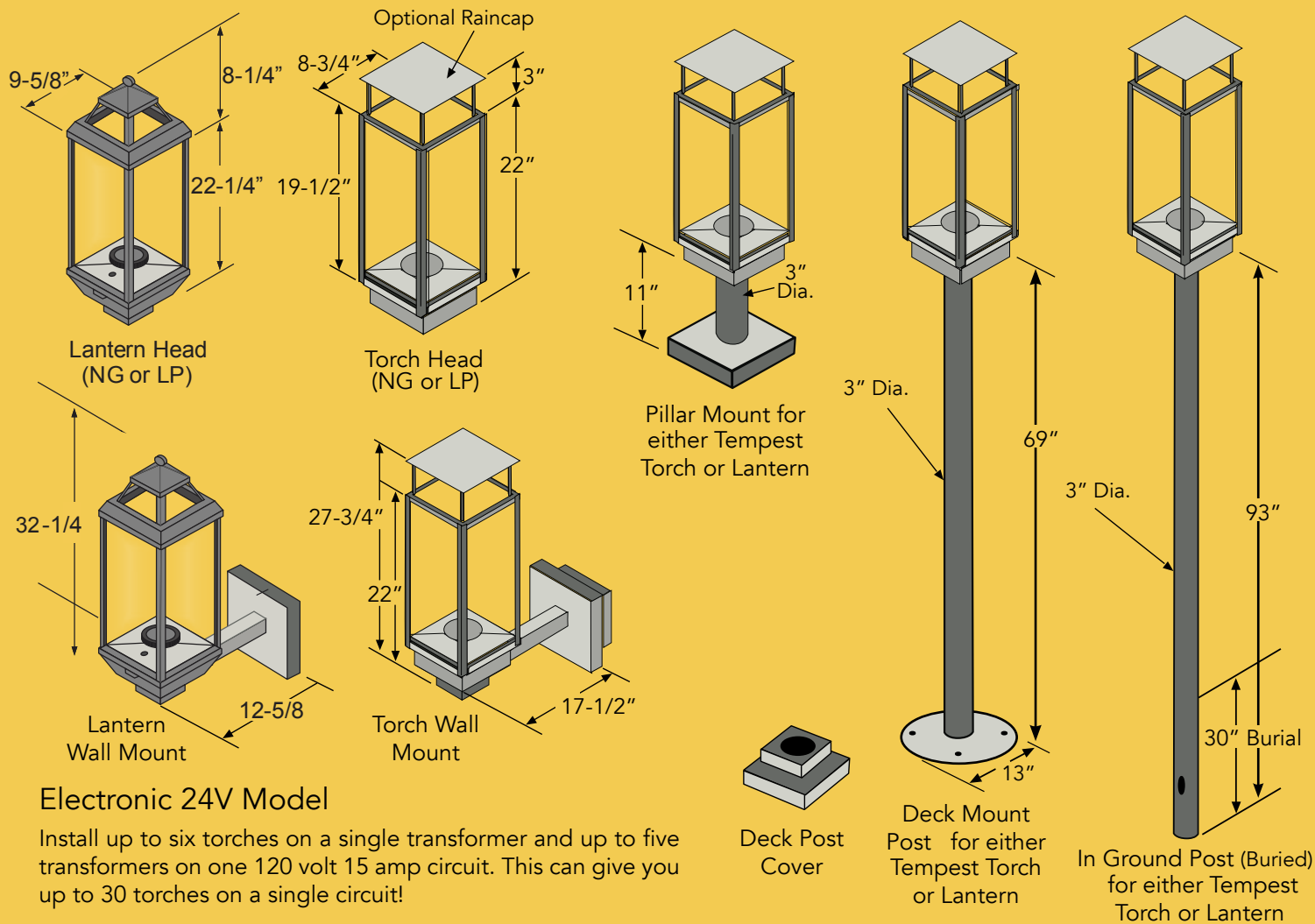
FEATURES YOU'RE GOING TO LOVE

- The Tempest Torch™ and Tempest Lantern™ can be installed in four different ways:
 - Ground Post
 - Deck Post
 - Pillar Mount
 - Wall Mount
- Automatic gas shutoff for added safety if the flame ever goes out.
- Optional removable rain cap included.
- Tempered glass panels are easy to remove for cleaning and service.
- The Tempest Torch™ features a durable stainless steel frame and burner.
- The Tempest Lantern™ features a durable, high temperature black powder coated frame & cap.
- Available in your choice of natural gas or propane.



TEMPEST™

GAS TORCHES AND LANTERNS



Electronic 24V Model

Install up to six torches on a single transformer and up to five transformers on one 120 volt 15 amp circuit. This can give you up to 30 torches on a single circuit!

Minimum Clearances To Combustibles

Floor: 2.5" combustible floor to bottom (base) of torch
Walls: 8" measured from glass surface
Ceiling: 26" measured from the torch top (glass frame) with or without the raincap. (Refer to the Owner's Manual for further details)

Gas Rating	NG	LP
Btus/Hr High	20,000	20,000
Btus/Hr Low	14,000	17,000

Testing

Applicable portions of ANSI Z21.42a-2004 "Illuminating Appliances", CAN 1-2.15, CSA 4.96 U.S. (3rd Ed) "Outdoor Gas Fireplace", and AGA 8-96, "Requirement for Gas-Fired Decorative Illuminating Appliances for Outdoor Installation."

FOR YOUR SAFETY:

FOR OUTDOOR INSTALLATION ONLY!
 Do not store or use gasoline or other flammable vapors and liquids in the vicinity of this or any other appliance.

WARNING:

Improper installation, adjustment, alteration, service or maintenance can cause injury or property damage. Refer to the owner's information manual provided with this appliance. For assistance or additional information consult a qualified installer, service agency or the gas supplier.



TRAVIS INDUSTRIES
 THE HOUSE OF FIRE

Manufactured by
 Travis Industries, In Mukilteo, WA

T. I. reserves the right to improve our products at any time without prior notification.
 Photos and illustrations are for descriptive purposes only. 98800075 09/2020