

**DaVinci**  
CUSTOM FIREPLACES™

**FIRENZE™ COLLECTION**



---

# THE DAVINCI FIRENZE™ COLLECTION

---

## Custom Fireplace Look and Quality, Without the Custom Fireplace Price

The Firenze™ Collection features four distinct direct vent models, all featuring 20" tall frameless glass, a linear silhouette, and DaVinci's signature inviting flames.

The Firenze™ Collection is the perfect solution for those seeking the style and advanced luxury features of a DaVinci, with the warming capabilities and value of a heater-rated fireplace.

- 
- **Performance:** Firenze™ fireplaces are 25K-50K BTU heater-rated appliances (a 50% turndown) that feature a quiet, remotely located, 400 CFM convection fan that efficiently distributes warmth throughout spaces up to 2,500 square feet, ensuring year-round comfort, especially during those chilly winter nights.
  - **Design:** These fireplaces feature the sleekest firebox look available, with no louvers between the two panes of glass, or screens over the glass. The post-less corner design gives a clean, glass-to-glass edge and unobstructed viewing area.
  - **Ambiance:** The natural dancing flames combined with DaVinci's LED under-lighting and overhead accent lights deliver the most alluring and relaxing presentation of fire.





ABOVE: BAY FIRENZE™ FEATURING THE BLACK GLASS FIREBACK, PLATINUM CRUSHED GLASS MEDIA, BIRCH LOGS FYRE-ART™, AND BLACK TOUCHSMART™ CONTROL PANEL

## Four Distinct Firenze™ Models

72" x 20" Bay

60" x 20" Single-Sided

66" x 20" Right Corner

66" x 20" Left Corner

### Bay

Viewable from three sides, the Bay design is a window to a ribbon of beautiful flame, drawing the eye and captivating its audience.

THE BAY MODEL BELOW FEATURES THE BLACK PAINTED FIREBACK, PLATINUM CRUSHED GLASS MEDIA, AND BLACK TOUCHSMART™ CONTROL PANEL (NOT PICTURED).





## Single-Sided

Accommodating any living space in a wide range of applications, the Single-Sided Firenze™ gives you the best fire presentation and heat output in its class.

THE SINGLE-SIDED MODEL ABOVE FEATURES THE BLACK PAINTED FIREBACK, PLATINUM CRUSHED GLASS MEDIA, WHITE TOUCHSMART™ CONTROL PANEL, AND FRONT VENT COOLSMART TV WALL KIT™

## Right Corner & Left Corner

---

A Corner Firenze™ is a unique fireplace design that not only enriches the visual experience of the fireview, but also seamlessly integrates into a myriad of architectural contexts.





THE MODEL ABOVE FEATURES THE BLACK GLASS FIREBACK, ROCK EMBERS & EMBER-GLO™ GLASS MEDIA, AND WHITE TOUCHSMART™ CONTROL PANEL.



This innovative Corner configuration brings an enhanced sense of visual depth and dimension to any living space with its captivating visual elements and architectural adaptability.

THE MODEL TO THE LEFT FEATURES THE BLACK GLASS FIREBACK, BLACK CRUSHED GLASS MEDIA, AND WHITE TOUCHSMART™ CONTROL PANEL,

## Medias & Firebacks

---

### Glass Media Options

Platinum Crushed Glass or Black Crushed Glass medias are pure tempered glass crushed and finely processed to ensure a beautiful heat-resistant base to enhance the breathtaking flames



### Rock Embers & Ember-Glo™ Glass Media Blend

Our signature blend of rock embers and high temperature fire glass beads over the LED lighting mimic the realistic ember bed of a roaring fire.



### Black Painted Fireback

This matte surface imparts a warm glow that lets the flame stand front and center.



### Reflective Black Glass Fireback

This high-gloss black glass has a warm reflective surface that enhances and intensifies the flame appearance.



### Handmade Brick Fireback

This classic brick design offers an elegance and charm that embodies the grand look and feel of a lodge fire.





# Sophisticated Fyre-Art™

---

Inspired by elements of nature, our in-house handcrafted options include the choices of logs, twigs, and stones to offer the most detailed and realistic media available anywhere.



## Twigs & Stones



SCAN FOR VIDEO



## Driftwood Logs



SCAN FOR VIDEO



## Tumbled Stones



SCAN FOR VIDEO



## Traditional Logs



SCAN FOR VIDEO



## Birch Logs



SCAN FOR VIDEO



## Cannon Balls



SCAN FOR VIDEO

# TouchSmart™

Hearth Industry Vesta™ Award Winner for  
Best Hearth Components & Controls.

## Elegant Wall Control Panel



The Firenze™ Collection features DaVinci's easy-to-use TouchSmart™ Wall Control interface. The sleek glass panel, in your choice of black or white finishes, connects you to technical features that DaVinci has perfected, overhead accent lights, flame height controls, IPI/CPI, and full spectrum LED under-lighting to help set the mood.

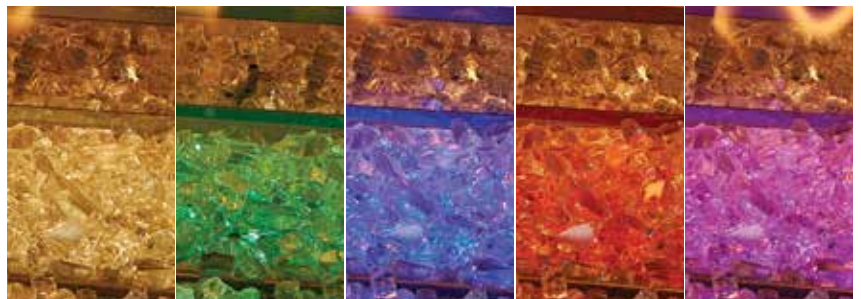
### Overhead Accent Lights

Firenze™ features overhead halogen accent lighting to highlight the beauty of your fireplace, even when it isn't lit.



### LED Under-Lighting

Personalize your own perfect ambiance with full spectrum LED under-lighting controlled via TouchSmart™.



SCAN FOR  
VIDEO

## Home Automation Interface

DaVinci offers a serial communication protocol to control Firenze™ fireplaces with any home automation system that has a serial interface.

DaVinci Custom Fireplaces™ have been installed with Lutron™, Crestron™, Savant™, and Control4™ systems.



Scan For  
Home  
Automation  
Control Board  
Instructions



## Thermostat Compatible

Firenze™ offers an optional thermostat to control your fireplace's heat output.

Other styles of thermostats (basic, programmable, and smart) may also be compatible with your Firenze™ gas fireplace. Ask your sales associate about your options.

## Heat Distribution

---



### Ventilated Chase

---

These fireplaces can be ventilated to the top of the chase by leaving a discrete 3/4" opening gap. This option also gives you the flexibility to install a TV 2" above your Firenze™ glass.

Examples of acceptable opening dimensions:

- 3/4" (19mm) high by 63" (1600mm) wide
- 1" high (26mm) by 48" (1219mm) wide
- 2" (51mm) high by 24" (610mm) wide

THIS LEFT CORNER FIRENZE™ FEATURES THE BLACK GLASS FIREBACK, ROCK EMBERS & EMBER-GLO™ GLASS MEDIA, WHITE TOUCHSMART™ CONTROL PANEL (NOT PICTURED), AND CUSTOM VENTILATED CHASE.

## Venting Options

---

Firenze™ fireplaces feature a standard 5" x 8" direct vent pipe that allows for 40' vertical and 60' horizontal vent runs. They also offer an optional power vent feature, which allows you to vent down below the unit and outside, giving you even more flexibility with installation.



## CoolSmart TV Wall Kit™

The optional CoolSmart TV Wall Kit™ gives you the flexibility to mount a TV 2" above your Firenze™ glass with front or side venting capabilities, seamlessly integrating entertainment and warmth in one central location.

The front vent option features a sleek trim around the slim opening, whereas the side vent option offers your choice of standard grills.

ABOVE: RIGHT CORNER FIRENZE™ FEATURING THE BLACK GLASS FIREBACK, PLATINUM CRUSHED GLASS MEDIA, WHITE TOUCHSMART™ CONTROL PANEL, AND SIDE VENT COOLSMART TV WALL KIT™.

LEFT: SINGLE-SIDED FIRENZE™ FEATURING THE BLACK GLASS FIREBACK, PLATINUM CRUSHED GLASS MEDIA, DRIFTWOOD LOGS FYRE-ART™, BLACK TOUCHSMART™ CONTROL PANEL, AND FRONT VENT COOLSMART TV WALL KIT™.

## Screen Free Glass

---

Crystal-clear, screen free glass is a standard feature for all Firenze™ fireplaces. Subtly incorporated ventilated channels send cooling air between the two panes of 3/8" glass, eliminating the need for a screen.

Our ventilated channel also allows our optional medias to extend almost to the edge of the glass, creating a seamless and refined aesthetic when compared to other manufacturers' wide, unsightly louvers.





## **Zero Clearance to Combustibles**

---

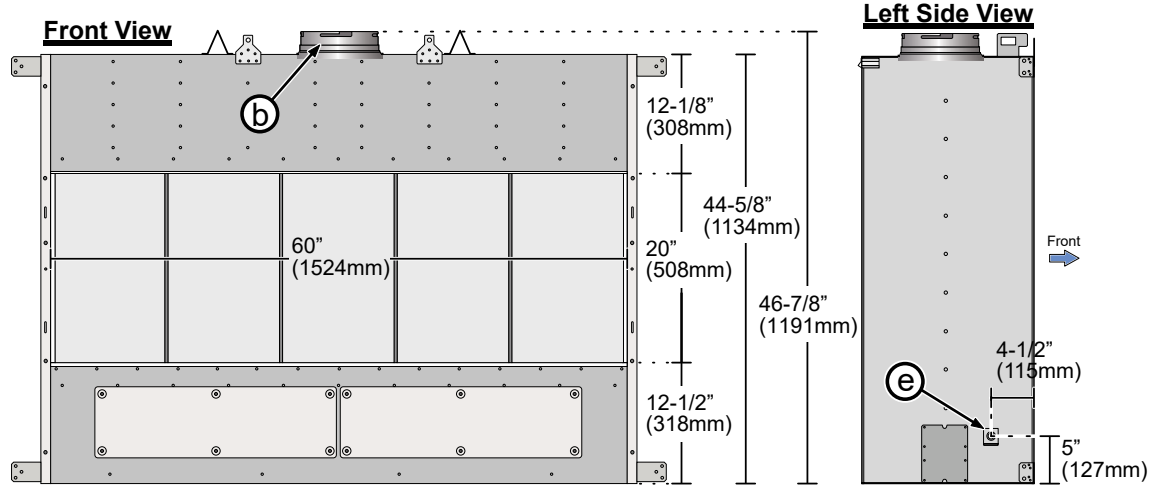
Firenze™ fireplaces remain cool by the way room air is ducted in and around the unit and between the two panes of glass. This eliminates the need for using expensive steel studs or non-combustible building materials and gives you the freedom to bring combustible finish materials right up to the edge of the frame-less glass.

ABOVE: RIGHT CORNER FIRENZE™ FEATURING THE BLACK PAINTED FIREBACK, PLATINUM CRUSHED GLASS MEDIA, BLACK TOUCHSMART™ CONTROL PANEL, AND CUSTOM VENTILATED CHASE.

# Dimensions

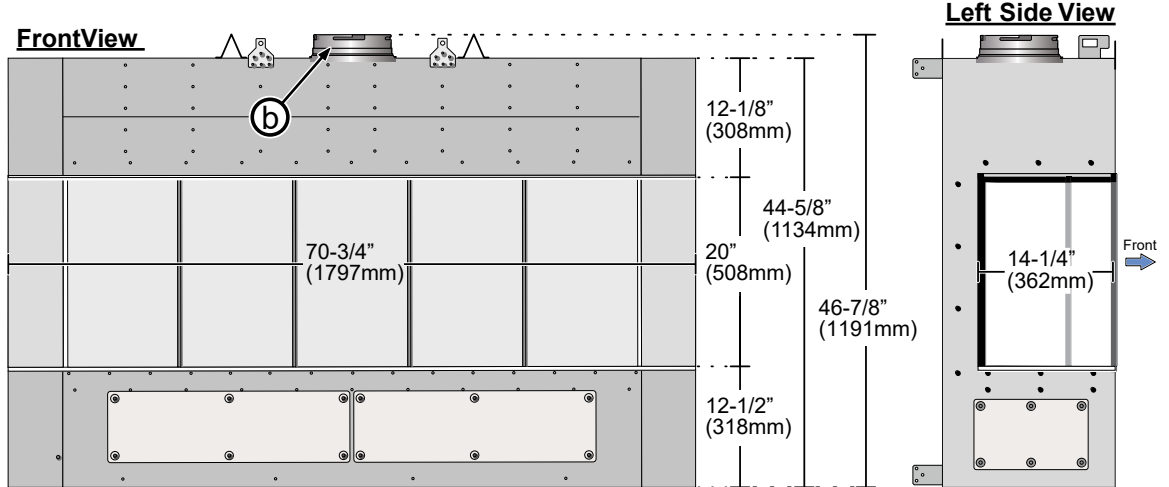
## Single-Sided

Width 63"  
 Depth 18-1/2"  
 Height 46-7/8"



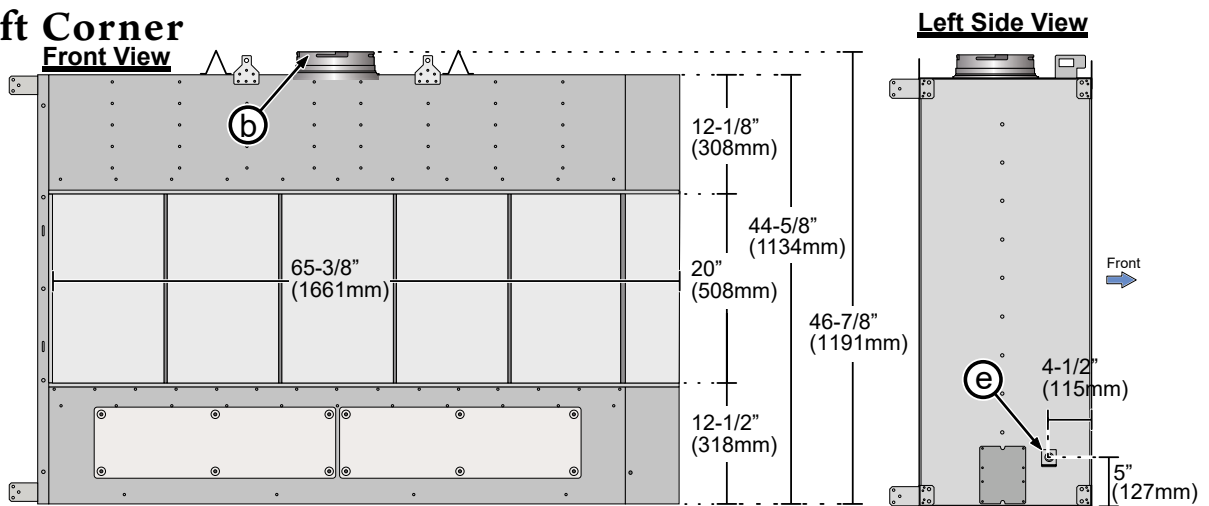
## Bay

Width 70-3/4"  
 Depth 18-1/2"  
 Height 46-7/8"



## Right & Left Corner

Width 66-7/8"  
 Depth 18-1/2"  
 Height 46-7/8"



Scan For  
 Owner's  
 Manual



Manufactured in Mukilteo, WA  
 800.654.1177 or visit [DaVinciFireplace.com](http://DaVinciFireplace.com)



Follow us on Instagram  
 & Facebook @DaVinciFire

We reserve the right to make changes or modifications to products and specifications at any time, without prior notification. Refer to the owner's manual for detailed product and user instructions. Travis Industries DaVinci Custom Fireplaces their components are protected by one or more of the following patents; U.S. 11,662,121, CA 3,032,800, as well as other U.S. and Foreign patents pending. Photos shown are for illustrative purposes. Photos shown are for illustrative purposes. 12/2023 © 2023 Travis Industries, Inc. - The House of Fire, Mukilteo, WA 98801120